



UD TRUCKS

# Quon CW 26 380



## SPECIFICATIONS

<b>GVM*</b>	26,000 kg	<b>Power</b>	278 kW @ 1,800 rpm
<b>GCM</b>	50,000kg	<b>Torque</b>	1,790 Nm @ 950 rpm
		<b>Transmission</b>	ESCOT V 12 speed AMT
		<b>Suspension</b>	UD Trucks Airbag and 6-Rod leaf

## FEATURES

Full floating, 4 bag air suspended cab	Multi adjustable air suspended driver seat
ECE-R29 Cab strength compliant	Automatic Climate Control
WABCO EBS (Electronic Braking System) & ABS	Touch screen multimedia with SD, USB, CD, DVD, 3.5mm inputs
ADR84/00 (ECE-R93) integrated Front Underrun Protection (FUPS)	Heated/cooled drink holders and lunch compartment
Easy Hill Start (EHS)	Unlimited factory custom paint options available

[udtrucks.com.au](http://udtrucks.com.au)

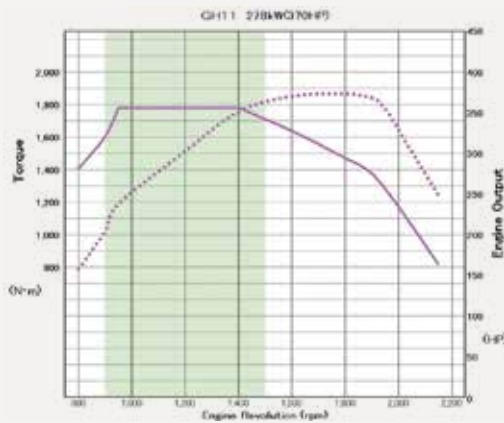
Note: CW 26 380 cab chassis shown – may not be representative of actual vehicle

## SAFETY

ECE-R29 Cab strength compliant  
 Electronic Braking System (EBS) with ABS and traction control (ASR)  
 SRS drivers airbag with seat belt pretensioner  
 ADR84/00 (ECE-R93) integrated Front Underrun Protection (FUPS)  
 Easy Hill Start (EHS)  
 Electrically operated and heated mirrors  
 360° visibility with up to 4 optional cameras

## ENGINE

Make	UD Trucks
Model	GH11TB
Description	4 cycle, direct injection, diesel engine with overhead cam, 4 valves per cylinder, water cooled and intercooler with variable turbocharging system.
Cylinders	6 in-line
Total piston displacement	10,837 cc (11 litres)
Bore x stroke	123 mm x 152 mm
Compression ratio	17:1
Max. Power (ECE Net)	278 kW (378 ps) @ 1,800 rpm
Max. Power (JIS Gross est.)	289 kW (393 ps) @ 1,800 rpm
Max. Torque (ECE Net)	1,790 Nm (1,320 lb/ft) @ 950 rpm
Max. Torque (JIS Gross est.)	1,859 Nm (1,371 lb/ft) @ 950 rpm
Max. governed engine speed	2,300 rpm



Lubrication system	Gear pump, flat tube oil cooler, 2 x full-flow and 1 x bi-pass replaceable oil filters
Compressed air system	Water cooled, twin cylinder 900 L/min air compressor with oil mist separator and air dryer
Cooling system	Centrifugal water pump, wax pellet type thermostats with bypass. 720/750 mm Aluminium radiator with external mounted reserve tank and a 680 mm diameter viscous coupling cooling fan

## FUEL AND INTAKE SYSTEM

Injection type	Ultra high pressure unit injection system
Filtration	Primary and engine mounted filters
Capacity	400 litre aluminium tank with lockable cap on RHS chassis
Air filtration	Primary and secondary paper element air filters on LHS
Air intake	High mounted LHS air intake

## EXHAUST AND EMISSION CONTROL

Emission standard	ADR80/03 (Euro 5)
Emission system	Selective Catalytic Reduction (SCR)
AdBlue® capacity	60 litre polymer tank with lockable cap on RHS
Exhaust system	RHS chassis box muffler/catalytic converter with rear facing exhaust discharge under truck

## ELECTRICAL

Power	24 volt, negative ground system
Battery capacity	2 x 12 volt 140 Ah batteries mounted on LHS chassis
Alternator	130 amp MELCO
Factory electrical connections	24 volt trailer lighting and ABS wiring supplied to the rear of chassis

## CLUTCH

Make	UD Trucks
Description	Dry single organic plate with pull type diaphragm
Disc diameter	430 mm
Mechanism	Hydraulically operated with air assistance

## TRANSMISSION

Make	UD Trucks
Model	ATO2612D
Description	ESCOT V fully automated manual AMT 12 forward and 2 reverse gears. Synchronised range and splitter gears
Shift type	Electronic sequential shifter
Gear ratios	<b>1st</b> 11.73 <b>7th</b> 2.70 <b>2nd</b> 9.21 <b>8th</b> 2.12 <b>3rd</b> 7.09 <b>9th</b> 1.63 <b>4th</b> 5.57 <b>10th</b> 1.28 <b>5th</b> 4.35 <b>11th</b> 1.00 <b>Rev 1</b> 13.73 <b>6th</b> 3.41 <b>12th</b> 0.79 <b>Rev 2</b> 10.78
PTO capability	Rear mount opening with 500 Nm @ 103% or 81% engine speed

## FRONT AXLE AND SUSPENSION SYSTEM

Axle make	UD Trucks
Description	Drop forged steel "I" section beam, "ELLIOT" type
Suspension	Taper leaf spring
Dimensions (mm)	90 mm x 1,550 mm
Number of leaves	4
Spring constant	430 N/mm (43.8 kg/mm)
Shock Absorbers	2 x Telescopic double acting
Stabiliser bar	Fitted
Max. ground capacity	Refer to the <b>Load Capacity Summary</b>

## REAR AXLE AND SUSPENSION SYSTEM

Axle make	UD Trucks
Type	Fully floating steel banjo housing, in-line tandem type power divider with electro/pneumatic remote lock up (switch on dash)
Gear type	Single reduction, hypoid gear
Final reduction ratio	4.333:1 ('T' & 'W' W/B) 4.625:1 ('L' W/B)

## LEAF SUSPENSION (L and T WB)

Description	Trunion mounted, multi leaf springs with 6 torque rods
Leaf dimensions (mm)	90 mm x 1,300 mm
Number of leaves	8
Spring constant	2,672 N/mm (272.5 kg/mm)
Max. ground capacity	Refer to the <b>Load Capacity Summary</b>

## AIR SUSPENSION (W WB)

Description	UD Trucks full floating with v-type control rods
Air spring diameter	270 mm
Number of springs	8 airbags
Spring constant	90 N/mm (9.2 kg/mm)
Shock absorbers	4 telescopic double acting
Stabiliser bar	1 fitted to each axle
Road Friendly Certification Number (RFCN)	RF2058
Control system	WABCO ECAS (Electronic Controlled Air Suspension programable remote control mounted in cab)
Max. ground capacity	Refer to the <b>Load Capacity Summary</b>

## LOAD CAPACITY SUMMARY

	Front (kg)	Rear (kg)	
		Airbag	Leaf
Axle	8,200	23,600	23,600
Steering/suspension	6,500	20,000	23,600
Tyres	7,100	23,000	23,200
<b>Max. ground capacity*</b>	<b>6,500</b>	<b>20,000</b>	<b>23,200</b>

## BRAKES

Type	WABCO Electronic Braking System (EBS)		
Description	Full electronically controlled EBS system with aluminium air tanks, automatic adjusting, taper roller drum brakes, 4 channel ABS, traction control (ASR) and Easy Hill Start (EHS)		
Air pressure	7.9 - 9.5kg/cm <sup>2</sup>		
	<b>Front</b>	<b>Rear</b>	<b>Total</b>
Drum diameter	410 mm	410 mm	
Lining area	2,984 cm <sup>2</sup>	7,296 cm <sup>2</sup>	10,280 cm <sup>2</sup>
Park brakes	Spring park brake on drive axles		
Trailer controls	Progressive trailer brake hand controller		
Auxiliary brake	Exhaust plus Engine compression type (EEB)		
Factory air connections	Trailer air connections to rear of chassis		

## STEERING

Type	Recirculating ball and screw with hydraulic assist
Steering gear ratio	24.1 - 26.8:1
Column	Adjustable, tilt and telescopic control
Steering wheel	460 mm diameter with ignition key steering lock

## WHEELS AND TYRES

Wheels	Pressed steel disc type 8.25" x 22.5" rim with 165 mm offset and ISO 10 stud pattern (335 mm PCD)
Front tyres	Single 295/80R 22.5 Dunlop SP350, regroovable
Rear tyres <i>except W WB</i>	Dual 11R 22.5 Dunlop SP431, regroovable
<i>W WB only</i>	Dual 11R 22.5 Dunlop SP343, regroovable
Spare tyre	Single 295/80R 22.5 Dunlop SP350, regroovable mounted on Spare Tyre Carrier, LHS (L WB) Rear (T-W WB) of chassis

## FRAME

Construction	Ladder channel type chassis construction		
Type	Rigid truck rear of frame (ROF)		
Width	840 mm		
Side rail dimensions	300 mm x 90 mm x 8 mm (T & W W/B) 300 mm x 90 mm x 8 mm + 284 mm x 75 mm x 6 mm (L W/B)		
Material	Pressed high tensile carbon steel		
Rail data	<b>Tensile</b>	<b>Yield</b>	<b>Modulus</b>
	55 kg/mm <sup>2</sup>	40.8 kg/mm <sup>2</sup>	Refer to Body Manual <a href="http://udtrucks.com.au">udtrucks.com.au</a>
Turntable angles	N/A		

## STANDARD DRIVER AIDS

Safety equipment	ECE-R29 Cab strength compliant WABCO Electronic Braking System (EBS) Anti Slip Regulation (ASR) SRS driver steering wheel airbag SRS driver seat belt pretensioner ADR84/00 (ECE-R93) Front Underrun Protection Easy Hill Start (EHS) System compliance (FUPS) ABS – Anti-lock Brake System
Instrumentation	Fully electronic, CAN-BUS instrument system including speedometer, tachometer with economical green driving band, fuel, AdBlue® and independent front and rear air circuit pressure gauges. Digital odometer display with dual trip function.
Warning systems	Up to 40 visual warning lamps plus more than 10 different written warnings displayed on the LCD screen. In conjunction, various audible tones are used.
Driver assistance	Driver Information System (DIS) displaying useful vehicle data including: date/time, oil pressure, voltmeter, trip information, along with service intervals for engine, transmission and differentials. Electronic stalk mounted cruise control. GPS satellite navigation with NAVTEQ "truck" mapping.

## EXTERNAL CABIN

Description	Aerodynamically designed, forward control, pressed steel construction cab with 65° electro / hydraulic tilt
Mounting type	Full floating, 4 bag air suspended cab with 4 dual acting shock absorbers and dual automatic height control valves
Crash test standard	ECE-R29 compliant
Cab paint	Standard – Jumping White (W33)
Doors	90° opening, steel construction with side intrusion beams
Inspection points	Most daily inspections can be carried out without lifting the cab from the front opening inspection panel. The power steer and coolant are behind the cab on the driver side.
Bumper type	3 piece, pressed steel, air dam front bumper
Mirrors	Heated and electrically operated LH and RH main mirrors with wide vision spot mirrors and down facing spot mirror
Lamps	Halogen multi-reflector head lamps ADR49/00 bumper mounted fog lamps ADR49/00 roof mounted clearance lights Rear of cab mounted (rear facing) flood (work) lamp
Glass	Tinted front, side and rear
Wipers	Triple arm, 2 speed wipers with variable intermittent operation and integrated washers
Reversing system	Rear facing reverse light and audible warning alarm Optional remote mounted camera/s with microphone (see Dealer Options list)

## INTERNAL CABIN

Lighting	Dual ON/OFF/DOOR interior lights with an independent 720 mm x 140 mm fluorescent lamp
Seating	3 occupant seats with retractable seat belts, centre seat with lap belt
Driver's seat	CVG multi-adjustable, air suspended with automatic height control and adjustable shock absorber
Passenger seat(s)	Flat folding Centre and LH assistant seat, lift up base LH
Sleeping capability	ADR42/04 compliant sleeper bunk with mattress (full cab curtains)
Side windows	Power operated door glass
Security	Remote keyless central locking
Air conditioning	Fully automatic electronic climate controlled
Audio system	6.1" Touch Screen, Digital Radio DAB+, Inbuilt 32G Hard Drive, 4 Camera inputs incl. option for IR night vision and multiple component inputs, SD, USB, CD, DVD, 3.5mm
Cup holders	2 heated or cooled centre mounted cup holders RH and LH door mounted bottle holders
Storage	3 litre capacity storage box with lid (heated or cooled) 9 litre overhead centre mounted console with lid Dual overhead document pockets (behind sunvisors) Driver and passenger door pockets
Power outlet	24 volt 240W cigarette lighter/power outlet
Accessory fitment	Two DIN sized compartments for accessory fitment
Floor covering	Vinyl

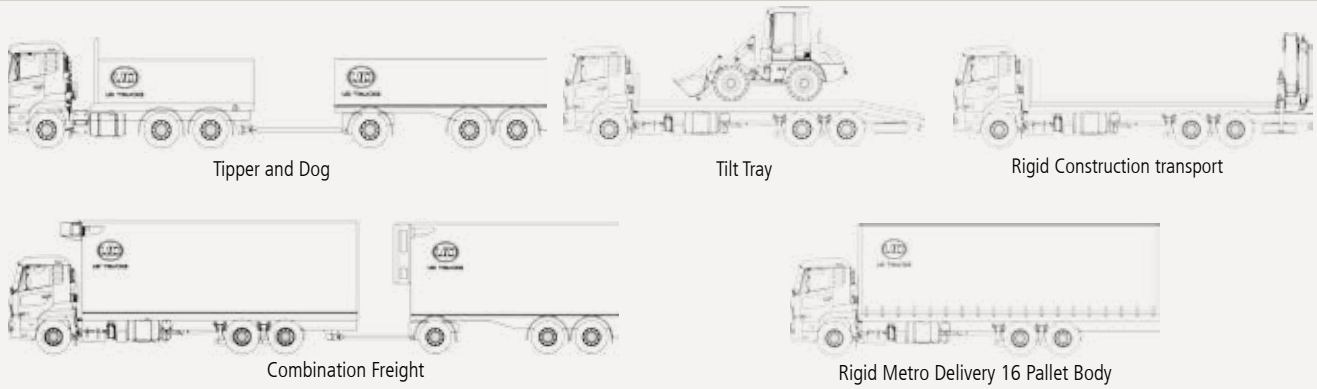
## FACTORY OPTIONAL EQUIPMENT (indent order)

Tyres	275/70R22.5 - With 4.111 diff ratio (6,300 kg FA capacity)
Seating	16 litre Centre console (replaces centre seat)
PTO control	Engine governor / Transmission Control Switch and lever
Rear engine PTO	650 Nm capacity @ 108% engine speed
Transmission PTO	500 Nm @ 103% or 81% engine speed
Cab paint	20 x factory option colours Custom paint colours (up to 3 colours per cab)

## DEALER FIT OPTIONAL EQUIPMENT

Fleet management	GPS-based fleet management system
Cameras	Up to 4 cameras connected to the in-dash multimedia unit
Wheels	22.5" Alcoa aluminium wheels
Other	Refer to your UD Trucks Accessories brochure <a href="http://udtrucks.com.au">udtrucks.com.au</a>

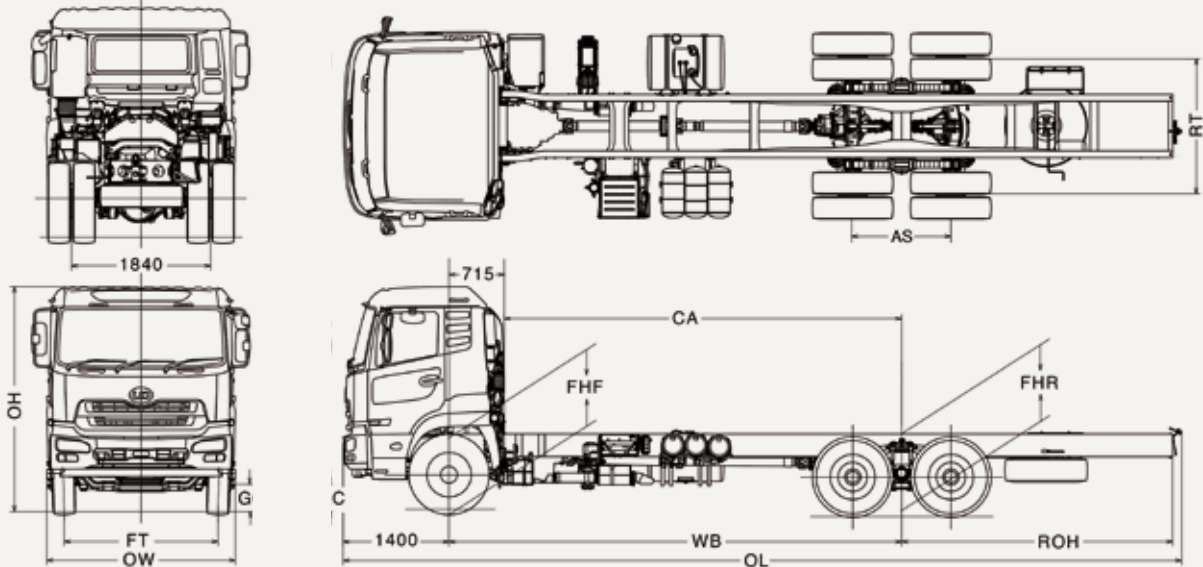
## TYPICAL APPLICATIONS



## GENERAL SPECIFICATIONS (Approximate)

Variant	Mass (kg)						Vehicle Dimensions (mm)															
	Wheelbase code	GVM*	GCM	FA <sup>1</sup>	RA <sup>1</sup>	Total Tare <sup>1</sup>	WB <sup>3</sup>	OL	OW	OH <sup>2</sup>	FT	RT	AS	ROH	CA	GC <sup>2</sup>	FHF <sup>2</sup>	FHR <sup>2</sup>	FHR <sup>2</sup> (Lowered height)	Turning radius (kerb to kerb)	UD order code	
6 Rod - Leaf	L			4,440	3,625	8,065	4,350	7,800							1,930	3,635					6,900	CW26380LAL
	T	26,000	55,000						2,490	2,970	2,030	1,840	1,300			260	1,032	1,100	N/A		9,200	CW26380TAL
UD Trucks - air	W	26,000	55,000	4,440	3,855	8,295	6,500	11,460	2,490	2,970	2,030	1,840	1,350	3,440	5,785	260	1,015	1,015	972		9,900	CW26380WAA

<sup>1</sup> Mass is an estimation only based on standard model, includes fluids (not diesel fuel or AdBlue®), spare tyre carrier and spare, excludes tools and driver. When fitted with optional alloy wheels, subtract 37 kg from front and 148 kg from rear tare weight. <sup>2</sup> Based on vehicle with standard wheels and tyres. <sup>3</sup> Due to rear suspension torsional loading the wheel base of this model must not be shortened to less than 5,500 mm (W wheelbase only)



Note: CW 26 380 photo and drawing shown, may not be representative of actual truck

## PERFORMANCE (Calculated)

	12 speed (AMT) 4.333 diff ratio and 11R 22.5"	12 speed (AMT) 4.625 diff ratio and 11R 22.5"	12 speed (AMT) 4.111 diff ratio and 275/70R22.5"
Max road speed	100 km/h (ADR65/00 - Speed limited)	100km/h (ADR65/00 - Speed limited)	100km/h (ADR65/00 - Speed limited)
Gradeability 1st gear	31.5% @ 50,000 kg	33.6% @ 50,000 kg	32.7% @ 50,000 kg
Gradeability top gear	1.2% @ 50,000 kg	1.3% @ 50,000 kg	1.3% @ 50,000 kg
Est RPM @ 100km/h	1,882 rpm	2,008 rpm	1,955 rpm

## WARRANTY

Standard warranty+	36 months/500,000 kms	+ For details refer to <a href="http://udtrucks.com.au">udtrucks.com.au</a>
Cab corrosion warranty+	36 months/unlimited kms	++Covers selected items only. For details refer to <a href="http://udtrucks.com.au">udtrucks.com.au</a>
Driveline Coverage++	36 months/800,000 kms	

NOTES: \*Rated GVM and axle capacities are subject to Federal, State and Territory legal requirements.

[udtrucks.com.au](http://udtrucks.com.au)

DISCLAIMER: Imported and distributed by Volvo Group Australia Pty Ltd (ABN: 27 000 761 259). Photos for illustration purposes. Volvo Group Australia Pty Ltd reserves the right to modify design and change equipment without previous notification. Please consult with your UD Trucks Dealer for the latest information about vehicle specifications.

ISSUE DATE  
OCTOBER 2014